

Homewood Matriarch - Installation Specifications

IMPORTANT: Diagrams not to scale. All measurements in millimetres unless specified.

The Homewood Matriarch has been tested to AS/NZS 2918:2001, Appendix B, and must be installed as per AS/NZS 2918, these installation specifications, any applicable local regulations, and the appropriate requirements of the relevant building codes.

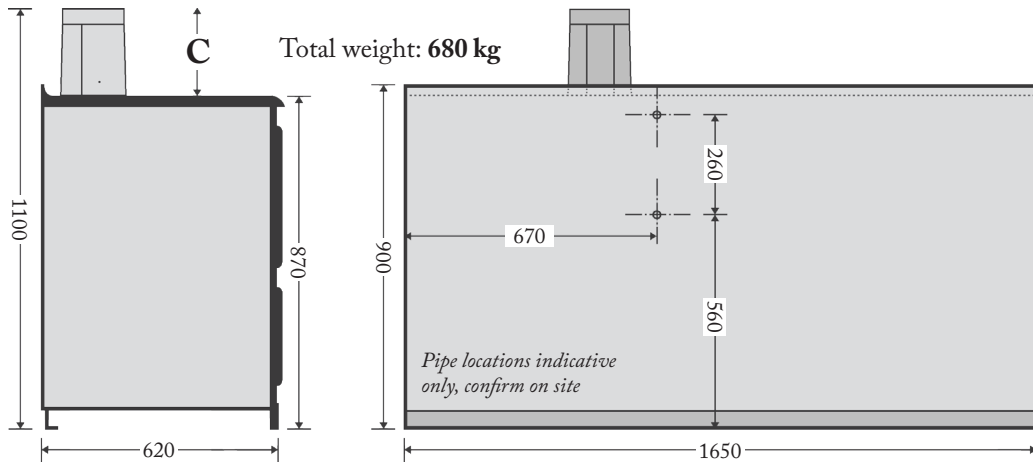


Figure A: Overall Dimensions and Wetback Pipe Locations

Wetback

The wetback is made from 2 mm copper, and has approximate output of 5 - 6 kW during normal use, with wetback pipes that come out the back of the stove as 25 mm brass thread. Wetback must be connected to an open-vented hot water system and be installed in accordance with AS 3500.4.1 or NZS 4603, and the appropriate requirements of the relevant building codes. The hot flow pipe (top wetback pipe) must always have a minimum upward slope to the cylinder of 1:20 at any point, and an average slope not less than 1:7 overall. The base of the cylinder must be raised above the stove top at least 300 mm (if flow line carries up two-thirds inside it) or 600 mm (if no such internal riser pipe).

Floor Protector

Unless the floor is non-combustible (eg: polished concrete), an "ash hearth" floor protector, made from a durable and heat-resistant material (most commonly tiles, but could be concrete, sheetmetal, brick and so on), must extend at least 300 mm in front of the stove, and at least 200 mm either side of the firebox opening. We recommend that the ash hearth extend at least the full span of the stove (1650 mm) though, and be constructed to finish flush with the surrounding floor.

An additional floor protector beneath or behind the stove is **not** required (the Matriarch has a built-in floor protector), but you may wish to continue your ash hearth (or run steel strips of the same thickness) beneath the stove so it is all at the same level.

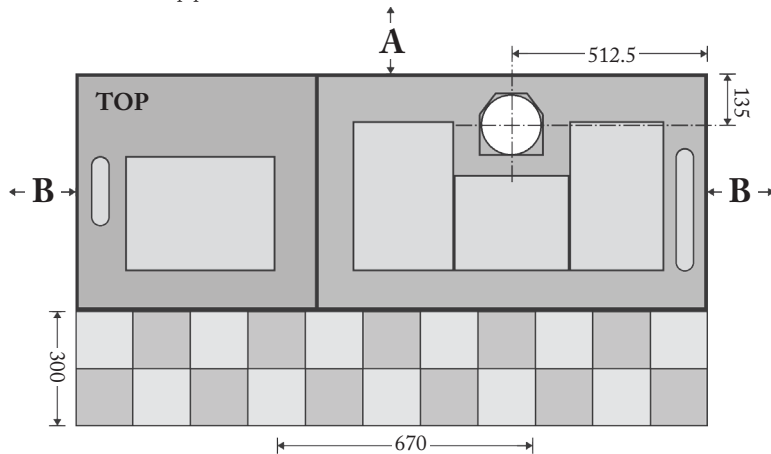


Figure B: Flue Collar Location and Ash Hearth Requirements

Seismic Restraint

Testing the Matriarch for seismic loading as per section 3.8 of AS/NZS 2918 has shown that it does **not** require any seismic restraints, due to its weight and shape. The stove must be installed on a level surface.

Emissions

The Homewood Matriarch is a cooking stove and therefore completely **exempt** from the emissions testing requirements of AS/NZS 4013.

Safe Installation Clearances

Clearance testing as per Appendix B of AS/NZS 2918 has shown that the closest distance allowed between the Matriarch and any **heat-sensitive material** (eg: wood) is 700 mm from the rear side (**A**); 350 mm from the left and right sides (**B**); and 1500 mm above the cooking surface (**C**). There must also be a 1 m minimum access clearance in front of the stove.

Where the installation will **not** have heat-sensitive material within any of the above distances, you are able to position your stove as you like, without the need for shields (however, we do recommend leaving an expansion gap of at least 2 - 5 mm between the stove and anything else). We strongly recommend that people building new homes take advantage of this by ensuring all walls and surfaces within the safe installation clearances of the intended stove position be made up entirely from heat-resistant materials (eg: brick, concrete block, metal frame compressed mineral board or similar).

Reduced Installation Clearances

Where the installation will have heat-sensitive material within the safe installation clearances, heat shields **must** be employed between the stove and that heat-sensitive material. **Figure C** shows the reduced clearances for different shield options - **WALL** is any heat-sensitive surface or material; **A** is the closest allowed distance from the wall to the rear side; **B** is the distance from the wall to the left and right sides; and **C** is the distance from the stove top to any heat-sensitive ceiling above.

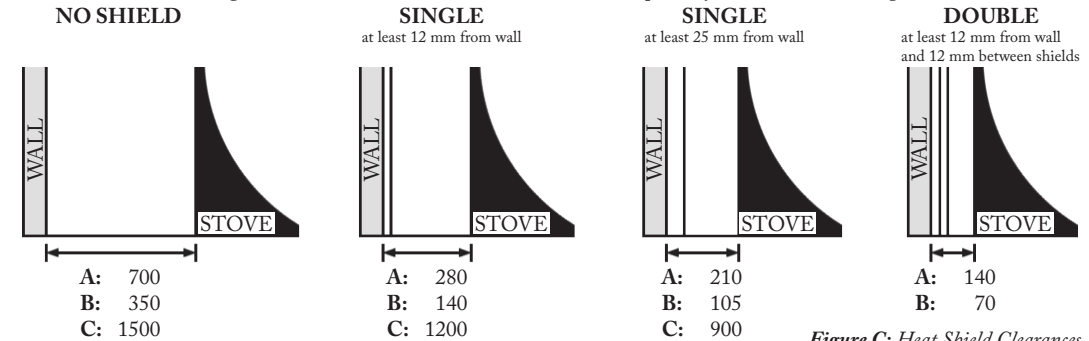


Figure C: Heat Shield Clearances

Heat Shield Construction

Heat shields must be built from heat-resistant materials only (eg: sheetmetal 0.5 mm minimum; masonry brick on edge or flat; stone; concrete/concrete block; non-combustible mineral board products, and so on), and all shield spacers must also be of a heat-resistant material (eg: 12 or 25 mm thin-wall steel square tube).

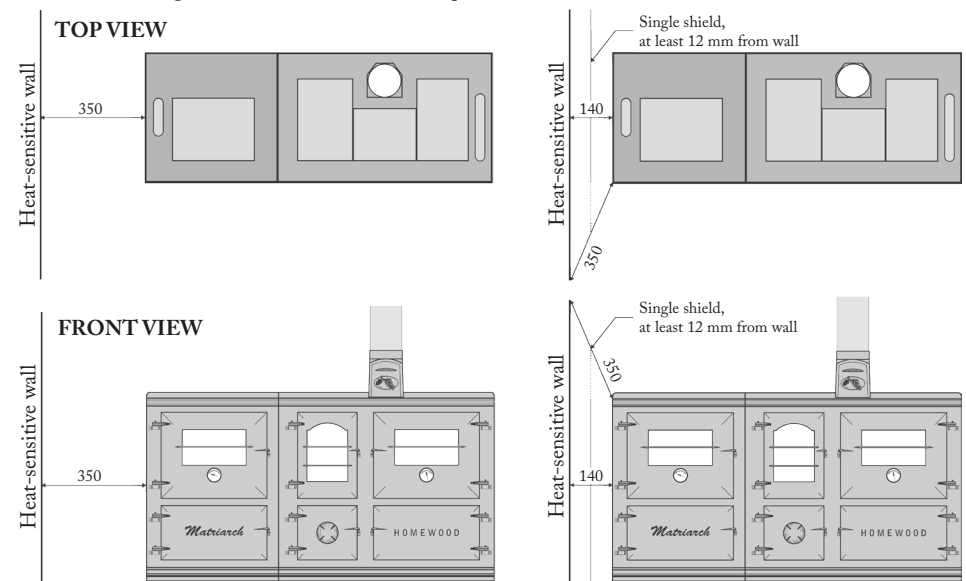


Figure D: Single Shield Example

Air gaps behind and between all heat shields must be ventilated at both the top and bottom with openings that are not less than half the cross sectional area of the air space behind the shield. Shields must extend beyond the stove to at least a minimum distance that ensures all heat-sensitive materials within the safe installation clearances are shielded, as in **Figure D**.

